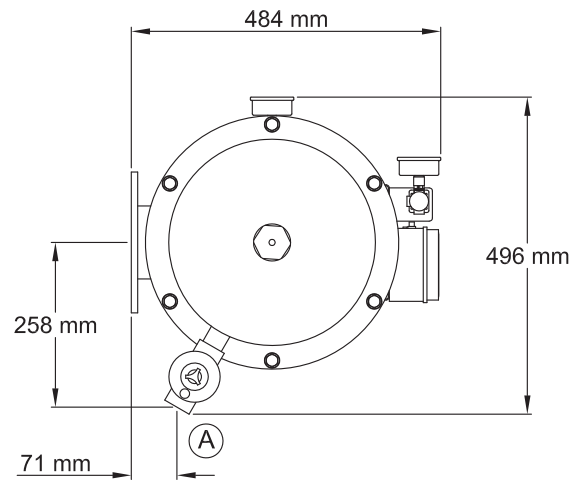


- Ⓐ Colector drenaje 1"
1" Drainage manifold
- Ⓑ Colector entrada 4"
4" Inlet manifold
- Ⓒ Colector salida 4"
4" Outlet manifold



AZUD LUXON LCA 1600/4

SCALE S/E A4 FORMAT	MATERIAL:	RESPONS.: M. Martínez	AZUD
	UNITS: mm.	REVISION: 00	
	FILE: Azud_luxon_LCA_1600-4.dwg	30/11/2011	