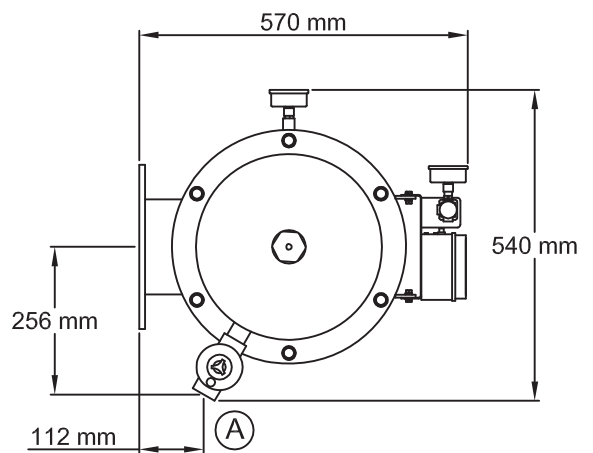


- Ⓐ Colector drenaje 1"  
**1" Drainage manifold**
- Ⓑ Colector entrada 6"  
**6" Inlet manifold**
- Ⓒ Colector salida 6"  
**6" Outlet manifold**



### AZUD LUXON LCA 2400/6

SCALE S/E A4 FORMAT	MATERIAL:	RESPONS.: M. Martínez	<b>AZUD</b>
	UNITS: mm.	REVISION: 00	
	FILE: Azud_luxon_LCA_2400-6.dwg	20/03/2012	