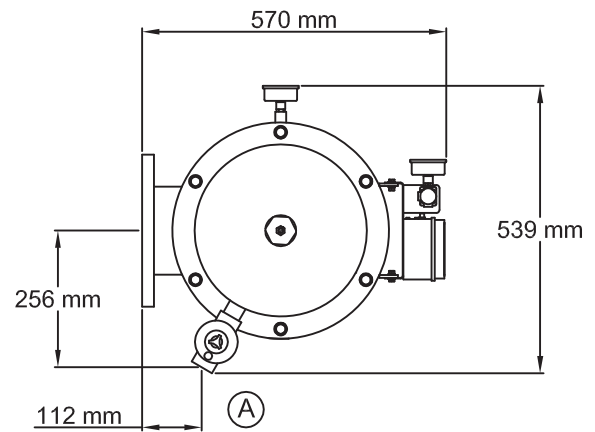


(A) Colector drenaje 1"
1" Drainage manifold

(B) Colector entrada 6"
6" Inlet manifold

(C) Colector salida 6"
6" Outlet manifold



AZUD LUXON LCA 4800/6

SCALE S/E A4 FORMAT	MATERIAL:	RESPONS.: M. Martínez	AZUD
	UNITS: mm.	REVISION: 00	
	FILE: Azud_luxon_LCA_4800-6.dwg	25/05/2011	